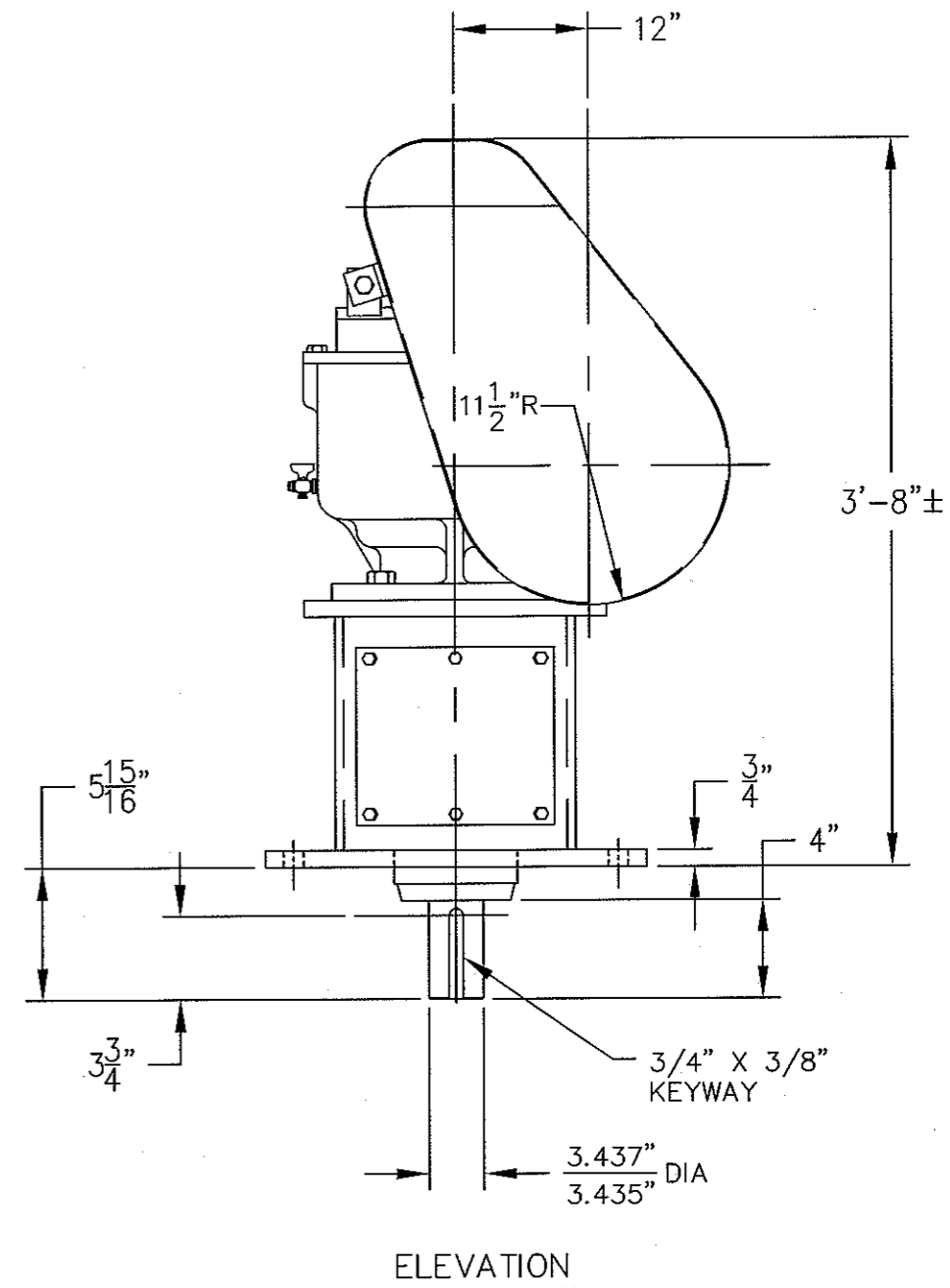
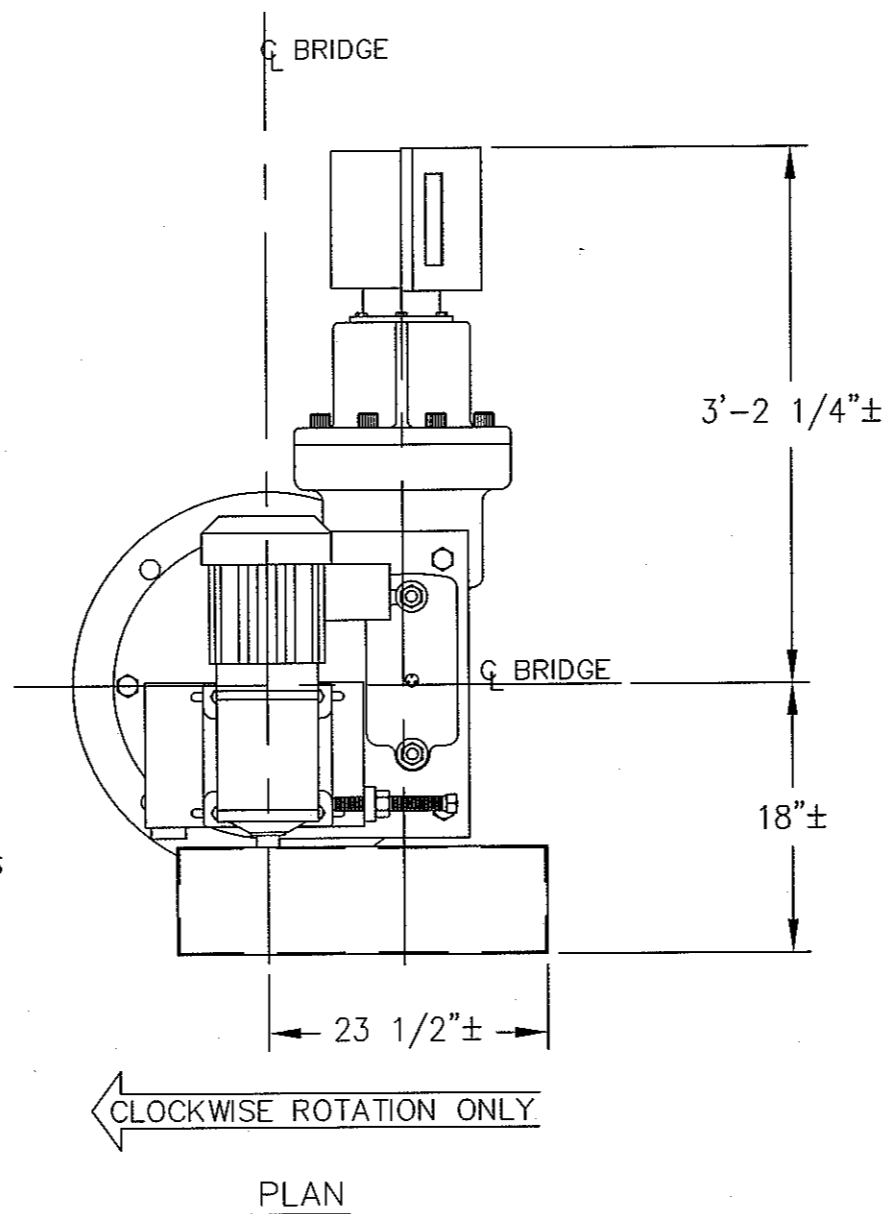
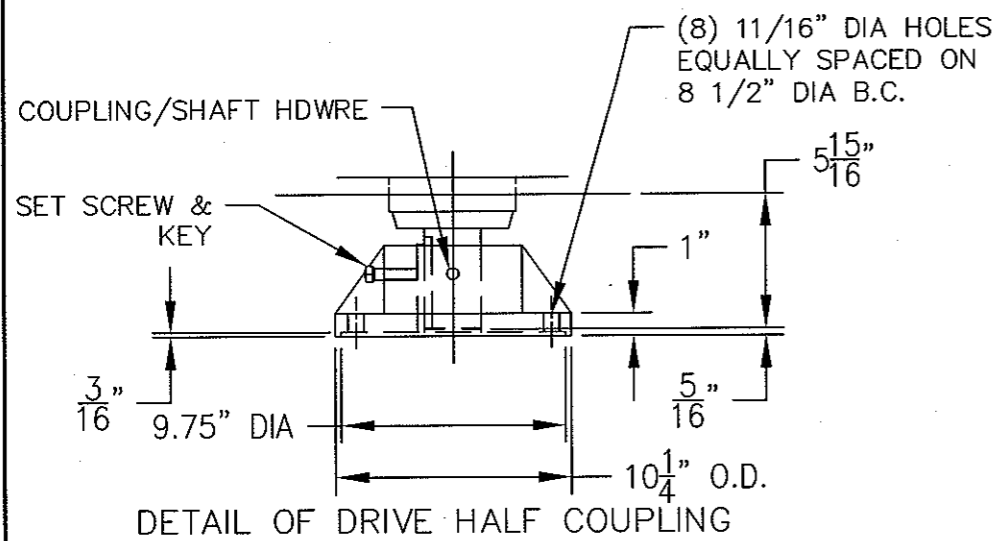


MOUNTING FLANGE



NOTE: TYPICAL DIMENSIONS, NOT FOR CONSTRUCTION

WEIGHT: 1950 LBS APPROX.

CAD FILE: B73900

MASTER
B-54785

SYM	REVISION	BY	DATE	CHKD
4				
3				
2				
1				

	DATE	BY
DRAWN	02/06/13	R. WALT
CHECKED		
APP'D.		
SCALE		

This is the property of McNish Corporation and is to be used only in connection with the performance of work by McNish Corporation. Reproduction in whole or in part for any other purpose is expressly forbidden.

McNISH
CORPORATION
AURORA, ILLINOIS, USA

McNish Circular Clarifier Drives

GENERAL ARRANGEMENT
MODEL 12B1 DRIVE

CONTRACT	DRAWING NO.	REV.
B,2,0,5	7,3,9,0,0	1,6,7,0